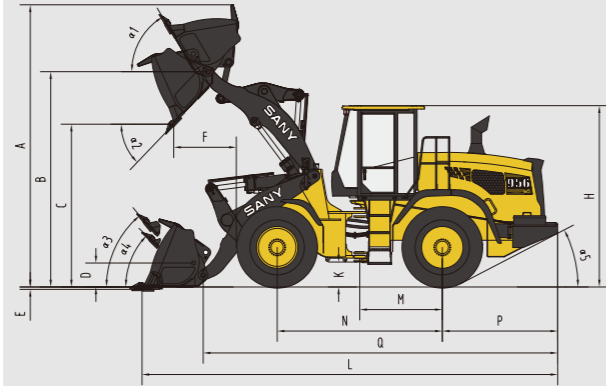
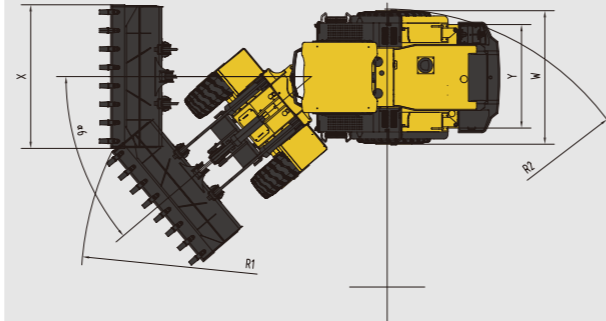


Specifications	SYL956H5
Forward speed at gear I (Km/h)	7.1
Max. forward speed (Km/h)	40
Total cycling time (s)	10.5
Breakout Force (kN)	175
Max. traction force (kN)	167
Articulation angle (°)	40
Dump clearance (at 45°-fully raised) (mm)	3118
Dump reach (at 45°-fully raised) (mm)	1140
Min. turning radius (mm)	5850
Static tipping load (Full turn) (kg)	10700
Static tipping load (Straight) (kg)	12600

Dimensions (mm)	SYL956H5
A. Overall height with bucket at Maximum lift	5410±50
B. Hinge pin height (fully raised)	4132±50
C. Dump clearance (at 45°-fully raised)	3118±50
D. Hinge pin height (at carry position)	460
E. Digging depth	30
F. Dump reach (at 45°-fully raised)	1140±50
H. Overall height (Rops cab)	3501±50
K. Ground clearance	432±10
L. Overall length, Bucket on Ground	8016±50
M. Length from Centerline to Rear Axle	1600
N. Wheel base	3200
P. Center Line Rear Axle to Edge of Counterweight	2229±50



Dimensions (mm)	SYL956H5
Q Length from bucket hinge shaft to Edge of counter weight (mm)	6807±50
$\alpha 1$ Roll back angle, Boom fully raised	56°
$\alpha 2$ Max. dump angle, fully raised	45°
$\alpha 3$ Roll back angle at carry position	50°
$\alpha 4$ Roll back angle at ground level	45°
$\alpha 5$ Departure angle	28°
$\alpha 6$ Articulation angle	±40°
W Width over tires (mm)	2825±50
X Bucket width (mm)	3000
Y Tread (mm)	2200
R1 Turning radius to outside of bucket (mm)	6450±50
R2 Min. turning radius to outside of tires (mm)	5850±50



Please Subscribe
The Official WeChat of SANY
Heavy Machinery

 **SANY Heavy Machinery Co., Ltd.**

Sany Industrial Park, Dongcheng Avenue, Kushan City, Jiangsu Province, China
Hotline: +86 4008-28-2318 (Service) / 4008-87-9318 (Support)
<https://www.sanygroup.com>

*Materials and specifications
are subject to change without
notice. See your local dealer
for available options please*

Reliable, Fuel-efficient & Comfortable

Rated power: 164 kW @2200 rpm | Operating weight: 17,100 kg | Rated payload: 5,000 kg
Bucket capacity: 2.7-4.0 m³

SYL956H5
Wheel Loader