



SY155W

NEW QUALITY
CHANGES THE WORLD



SELLING POINTS

High efficiency and energy conservation

Stage III standard environmental-friendly engine; Achieve real-time and accurate control of throttle by switching between different modes such as traveling and digging.

Excellent off-road capability

Four-wheel drive, large ground clearance, excellent off-road capability.

Excellent Operation Comfort

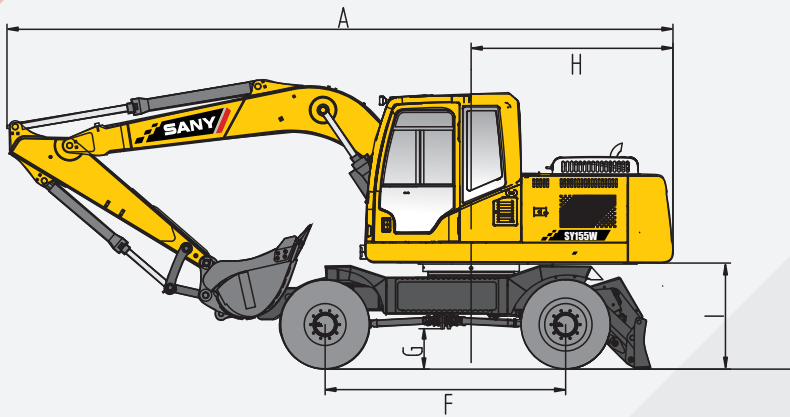
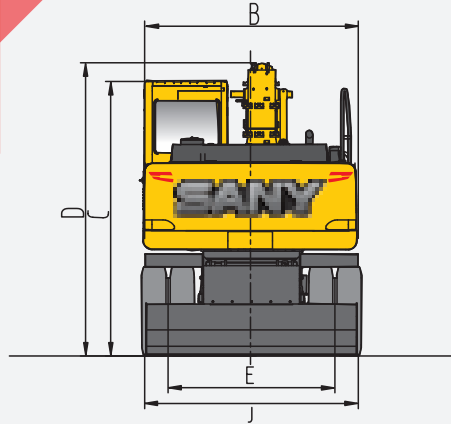
Electronic-controlling and positive flow hydraulic system brings better operation accuracy.

Excellent Flexibility

With the capability of traveling in high speed greatly shortens transit.

Machine Dimensions

(Unit:mm)



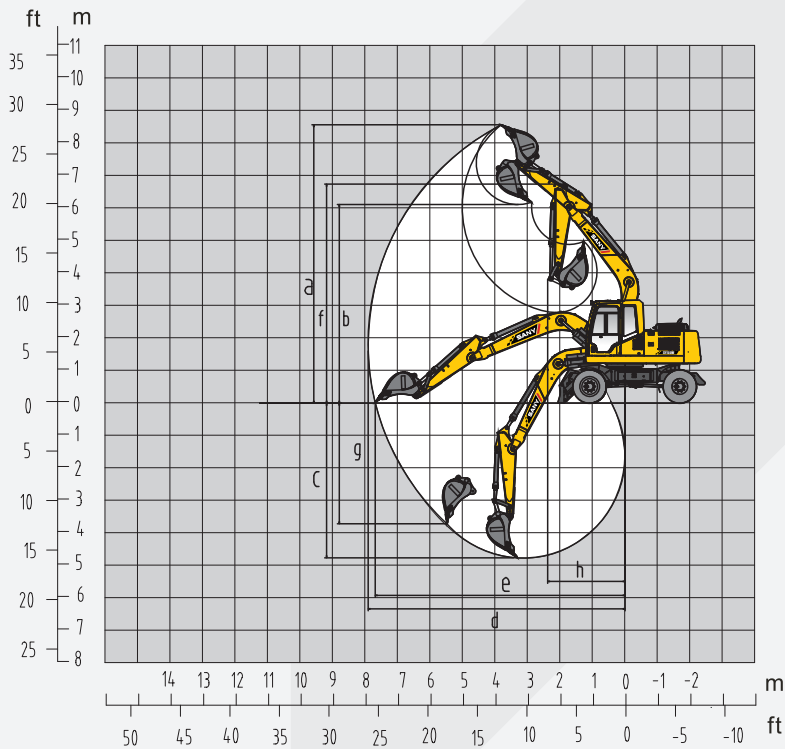
	SY155W
A Overall Transport Length	7690
B Overall Width	2490
C Overall Height(To the Cab Roof)	3200
D Overall Height(Traveling)	3610
E Track Gauge	1944
F Wheelbase	2800
G Minimum Ground Clearance	360
H Tail Swing Radius	2310
I Counterweight Ground Clearance	1230
J Bulldozing Plate Width	2490

Performance Parameter / Standard

Performance Parameter	Standard
Operating Weight	SY155W 13500
Bucket Capacity	0.22-0.7(0.58)
Rated Power	120/2000
Travel Speed(Fast/slow)	37/10
Rotation Speed	12.3
Gradeability	70%/35°
Bucket Digging Force	102.3
Bucket Arm Digging Force	75.2

Operation Range

(Unit:mm)



	SY155W
A Max. Digging Height	8600
B Max. Unloading Height	6200
C Max. Digging Depth	4800
D Max. Digging Radius	7960
E Max. Ground Digging Radius	7750
F Max. Height at min. Rotation Radius	6800
G Max. Vertical Digging Depth	4390
H Min Rotation Radius	2400

Shanghai Sany Heavy Machinery (LTD)

Sany Heavy Machinery Industrial Park, Pingan town,
Fengxian District, Shanghai, China

Zip Code: 201413

Service Hotline: 4008-28-2318

Inquiring and Complaint Number: 4008-87-9318

Web: <http://www.sanygroup.cn>



Material and specifications are subject to change without notice.
Feature machines in photos may include additional equipment.

ZJSYX0604CH(2016/1)

Printed in CHINA